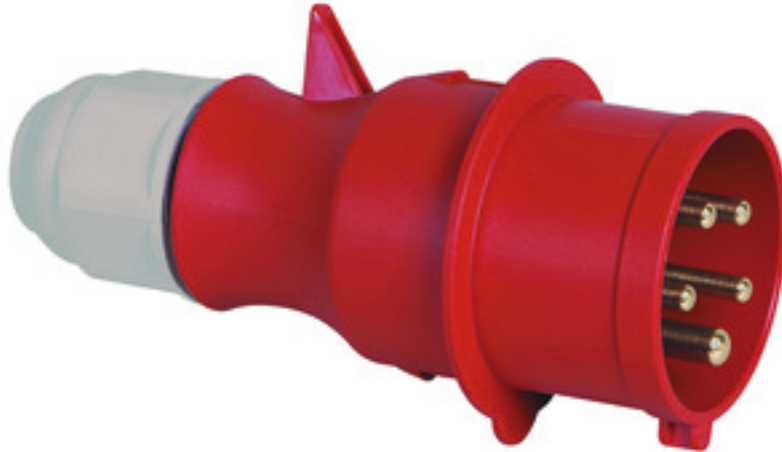


Plug - with screw terminals one piece housing



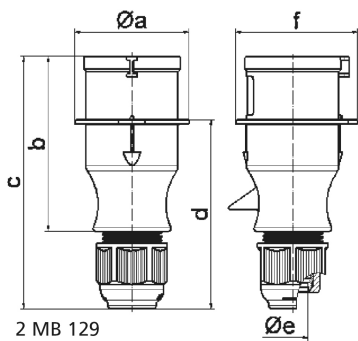
Product description	
BALS-Prd.-Nr	204-TLS
EAN	4024941192293
product category (PG)	TLS plug with Multi-Grip cable gland
current (A)	32A
number of poles (P99)	5p
number of poles (P)	3p+N+PE
position of earth contact (H)	6 h
voltage (V)	200/346 up to 240/415V
frequency (HZ)	50 and 60Hz

Product description	
protection degree (SA)	IP44
colour code 1 (KF1)	red RAL 3000
Colour of appliance	Enclosure red RAL 3000, Cable gland grey RAL 7035
connection design (AT)	with screw terminal
maximum conductor size (LQ)	6,0 qmm
cable entry (KE)	Cable gland
Height	175mm
Width	80mm
Depth	89mm
material of enclosure (GM)	Polyamide
contact	The contact carrier is made of polyamide, The contacts are brass

Additional technical information	
	one piece housing, Multi-Grip cable gland with gasket and integrated strain relief, For cable diameter from 11 up to max. 23,5 mm

Logistics data	
Weight/pcs	0.264 kg / Piece
Packaging	Carton
Content amount	10 ST
EAN	4024941829359

Logistics data	
Length	258 mm
Width	183 mm
Height	212 mm
Weight	2.792 kg
Volume	8,750 ccm



Ampere	16	16	16	32	32	32
Polzahl	3	4	5	3	4	5
a ø	54,0	60,0	66,0	71,0	71,0	80,0
b	94,5	98,0	101,0	115,0	115,0	119,0
c	138,0	142,0	145,0	170,0	170,0	174,0
d	101,5	105,5	108,5	124,0	124,0	128,0
e ø	18,0	18,0	18,0	23,0	23,0	23,0
f	56,6	64,0	71,0	76,0	76,0	85,0
Leiter mm ² min	1	1	1	2,5	2,5	2,5
Leiter mm ² max	2,5	2,5	2,5	6	6	6