

Connector - with screw terminals one piece housing



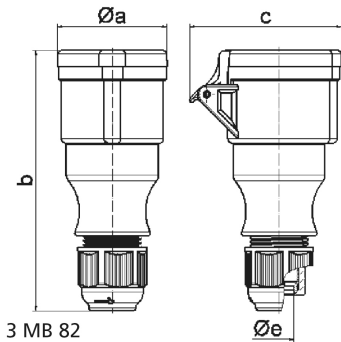
| Product description | |
|---------------------------|--------------------------------------|
| BALS-Prd.-Nr | 303-TLS |
| EAN | 4024941192316 |
| Product category | Connector TLS MULTI-GRIP cable gland |
| Current | 16A |
| Number of poles | 5p |
| Poles | 3p+N+PE |
| Position of earth contact | 6 h |
| Voltage | 200/346 up to 240/415V |
| Frequency | 50 and 60Hz |

| Product description | |
|------------------------|--|
| Protection degree | IP44 |
| Colour code | red RAL 3000 |
| Colour of appliance | Hinged lid red RAL 3000, Enclosure red RAL 3000, Cable gland grey RAL 7035 |
| Connection design | with screw terminal |
| Maximum conductor size | 2,5 qmm |
| Cable entry | Cable gland |
| Height | 154mm |
| Width | 65mm |
| Depth | 91mm |
| Material of enclosure | Polyamide |
| Contact | The contact carrier is made of polyamide, The contacts are brass |

| Additional technical information | |
|----------------------------------|--|
| | one piece housing, Multi-Grip cable gland with gasket and integrated strain relief, For cable diameter from 8 up to max. 18 mm |

| Logistics data | |
|----------------|------------------|
| Weight/pcs | 0.194 kg / Piece |
| Packaging | Carton |
| Content amount | 10 ST |
| EAN | 4024941829366 |

| Logistics data | |
|----------------|-------------|
| Length | 275 mm |
| Width | 175 mm |
| Height | 137 mm |
| Weight | 2.065 kg |
| Volume | 5,737.5 ccm |



| Ampere | 16 | 16 | 16 | 32 | 32 | 32 |
|----------------------------|-------|-------|-------|-------|-------|-------|
| Polzahl | 3 | 4 | 5 | 3 | 4 | 5 |
| a ø | 51,0 | 58,0 | 65,0 | 67,0 | 67,0 | 73,0 |
| b | 145,0 | 148,0 | 156,0 | 185,0 | 185,0 | 185,0 |
| c | 74,0 | 84,0 | 90,0 | 94,0 | 94,0 | 102,0 |
| e ø | 18,0 | 18,0 | 18,0 | 23,0 | 23,0 | 23,0 |
| Leiter mm ² min | 1 | 1 | 1 | 2,5 | 2,5 | 2,5 |
| Leiter mm ² max | 2,5 | 2,5 | 2,5 | 6 | 6 | 6 |
| | | | | | | |
| | | | | | | |
| | | | | | | |
| | | | | | | |