

Part number  
**CHO 24**



**Brief description:**

hoods for two levers, size "104.27", side entry, Pg21, metal version, IP66



**Product description**

<b>Version</b>	metal version
<b>Series</b>	hoods for two levers
<b>Product type</b>	with 4 pegs
<b>Variant</b>	side entry
<b>Family</b>	CLASS enclosures
<b>Size</b>	size "104.27"



**Technical data**

<b>Material</b>	metal
<b>IP degree of protection</b>	IP66 (and IP69K DIN 40050 - 9)
<b>Cable entry</b>	Pg21

**Further technical details**

<b>Weight</b>	200,00 g
---------------	----------

**Approvals / Standards**

<b>Quality mark</b>	 (type:4/4X/12),  , EAC
<b>Conformity</b>	CQC, CE

**General ordering information**

<b>EAN13 code</b>	8015747020053
<b>Tariff number</b>	85369095

**Packaging Information**

<b>Packaging length</b>	250,00 mm
<b>Packaging height</b>	145,00 mm
<b>Packaging width</b>	300,00 mm
<b>Packaging weight</b>	4,15 kg
<b>Packaging volume</b>	10,88 dm <sup>3</sup>
<b>Packaging description</b>	Carton box
<b>Packaging quantity</b>	20 Pcs
<b>Packaging EAN code</b>	8015747020060
<b>Sub-packaging weight</b>	1,04 kg
<b>Sub-packaging description</b>	Plastic packaging
<b>Sub-packaging quantity</b>	5 Pcs
<b>Sub-packaging EAN barcode</b>	8015747020077

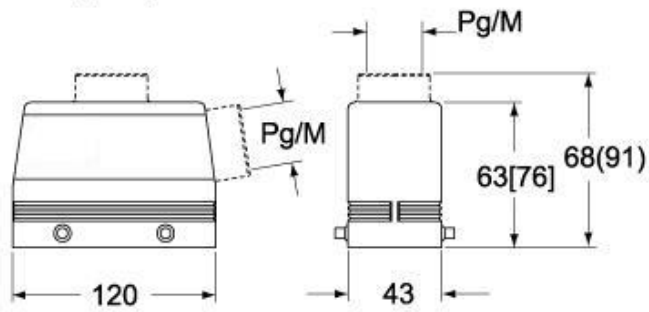
Part number

# CHO 24



Catalogue drawings

**CHO [CAO] CHV (CAV) - MHO [MAO]  
MHV (MAV)**



**CHV G (CAV G) - MHV G (MAV G) - [MFV G]**

