

Part number

CNEF 10 T



Brief description:

female insert, 10 poles + PE, screw terminal connections, 16A, 500V, 6kV, 3, silver plated, size "57.27", CLASS insert series

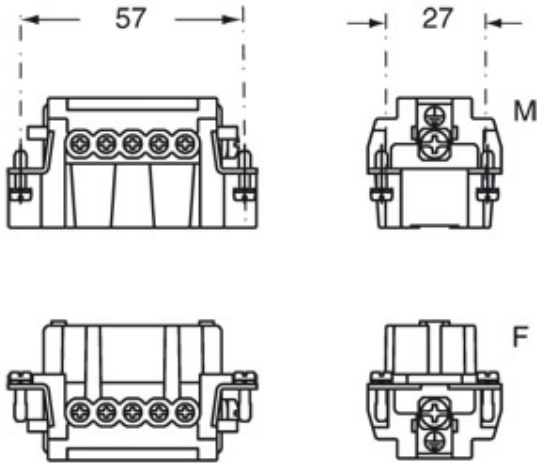
Product description		Approvals / Standards	
Model	female insert	Reference standard	EN 61984 (2001-11)
Version	screw terminal connections	Quality mark	DNV-GL, EAC
Series	CNE	Conformity	CQC, CE
Product type	with female contacts	General ordering information	
Variant	with plate	EAN13 code	8015747032193
Family	CLASS inserts	Tariff number	85369095
Size	size "57.27"	Country of origin	Made in EU (IT)
N. of poles	10 poles +	ETIM classification	EC000438
Technical data		Packaging Information	
Current	16 A (A.C. and D.C.)	Packaging length	210,00 mm
Voltage	500 V	Packaging height	75,00 mm
Rated impulse withstand voltage	6kV	Packaging width	180,00 mm
Pollution degree	3	Packaging weight	2,35 kg
Wire cross-section	0,50 mm ² - 4,00 mm ²	Packaging volume	2,84 dm ³
AWG size	20 - 12	Packaging description	Carton box
Operating temperature range (min, max)	-40°C ... +125°C	Packaging quantity	30 Pcs
Contacts material	Brass	Packaging EAN code	8015747032209
Contact type	silver plated	Sub-packaging length	67,00 mm
Mating cycles	≥ 500	Sub-packaging height	36,00 mm
IP degree of protection	IP20 without enclosure; IP65/IP66/IP67/IP68 with enclosure	Sub-packaging width	180,00 mm
PE connection type	Screw	Sub-packaging weight	0,39 kg
PE terminal stripping length	7 mm	Sub-packaging volume	0,43 dm ³
PE wire cross-section	0,14 - 4 mm ² ; AWG 20 - 12	Sub-packaging description	Carton
Tightening torque for PE connection	M3: 0,5 Nm; 4,4 lb.in (0,5x3mm)	Sub-packaging quantity	5 Pcs
Sub-packaging EAN barcode			8015747032216
Further technical details			
Characteristics according to EN 61984	16A 500V 6kV 3; 16A 400/690V 6kV 2		
Insulation resistance	≥ 10 GΩ		
Contact resistance	≤ 1 mΩ		
Rated voltage according to UL/CSA	600V		
UL 94 flammability rating	V-0		
Main contacts stripping length	6 mm		
Torque for main contact	M3: 0.5 Nm; 4.4 lb.in (0.5x3 mm)		
Tightening torque for fixing screws	M3: 0.5 Nm; 4.4 lb.in (0.5x3 mm)		
Weight	78,00 g		

Part number

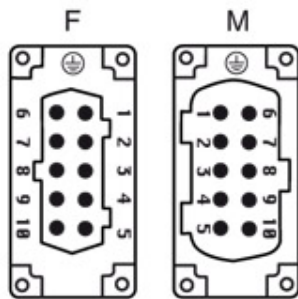
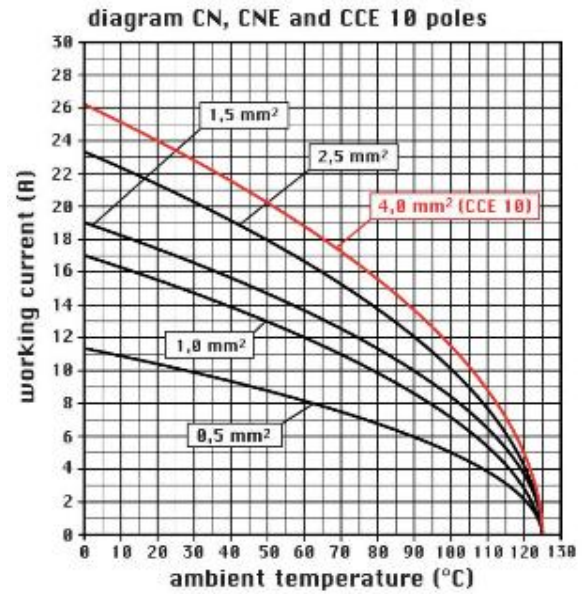
CNEF 10 T



Catalogue drawings



Catalogue drawings



Notes

CNE ... : for non-prepared conductors

CNE ... X : for conductors with bush terminal

