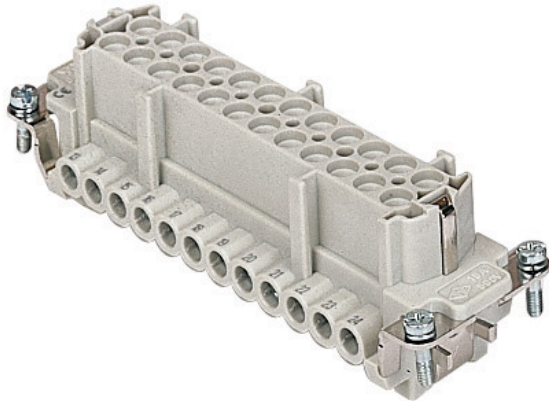


Part number

# CNEF 24 T



## Brief description:

female insert, 24 poles +PE, screw terminal connections, 16A, 500V, 6kV, 3, silver plated, size "104.27", CLASS insert series

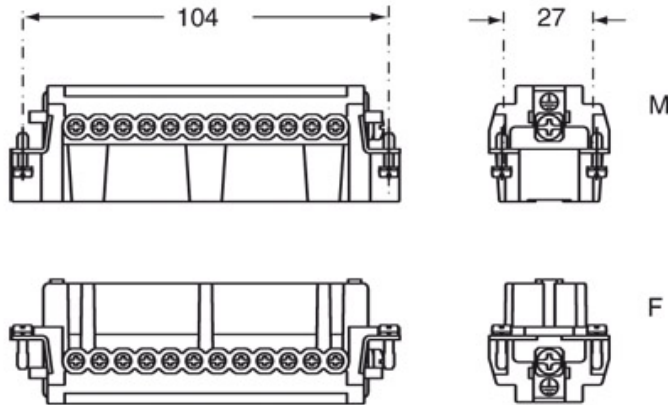
Product description		Approvals / Standards	
<b>Model</b>	female insert	<b>Reference standard</b>	EN 61984 (2001-11)
<b>Version</b>	screw terminal connections	<b>Quality mark</b>	DNV-GL, EAC
<b>Series</b>	CNE	<b>Conformity</b>	CQC, CE
<b>Product type</b>	with female contacts	<b>General ordering information</b>	
<b>Variant</b>	with plate	<b>EAN13 code</b>	8015747032582
<b>Family</b>	CLASS inserts	<b>Tariff number</b>	85369095
<b>Size</b>	size "104.27"	<b>Country of origin</b>	Made in EU (IT)
<b>N. of poles</b>	24 poles +	<b>ETIM classification</b>	EC000438
Technical data		Packaging Information	
<b>Current</b>	16 A (A.C. and D.C.)	<b>Packaging length</b>	270,00 mm
<b>Voltage</b>	500 V	<b>Packaging height</b>	75,00 mm
<b>Rated impulse withstand voltage</b>	6kV	<b>Packaging width</b>	180,00 mm
<b>Pollution degree</b>	3	<b>Packaging weight</b>	3,90 kg
<b>Wire cross-section</b>	0,50 mm <sup>2</sup> - 4,00 mm <sup>2</sup>	<b>Packaging volume</b>	3,65 dm <sup>3</sup>
<b>AWG size</b>	20 - 12	<b>Packaging description</b>	Carton box
<b>Operating temperature range (min, max)</b>	-50°C ... +70°C	<b>Packaging quantity</b>	30 Pcs
<b>Contact type</b>	silver plated	<b>Packaging EAN code</b>	8015747032599
<b>Mating cycles</b>	≥ 200	<b>Sub-packaging length</b>	113,00 mm
<b>IP degree of protection</b>	IP20 without enclosure; IP65/IP66/IP67/IP68 with enclosure	<b>Sub-packaging height</b>	36,00 mm
<b>PE terminal stripping length</b>	7 mm	<b>Sub-packaging width</b>	180,00 mm
<b>PE wire cross-section</b>	0,14 - 4 mm <sup>2</sup> ; AWG 20 - 12	<b>Sub-packaging weight</b>	0,65 kg
Further technical details		<b>Sub-packaging volume</b>	0,73 dm <sup>3</sup>
<b>Characteristics according to EN 61984</b>	16A 500V 6kV 3; 16A 400/690V 6kV 2	<b>Sub-packaging description</b>	Carton
<b>Insulation resistance</b>	≥ 1 GΩ	<b>Sub-packaging quantity</b>	5 Pcs
<b>Rated voltage according to UL/CSA</b>	600V	<b>Sub-packaging EAN barcode</b>	8015747032605
<b>UL 94 flammability rating</b>	V-0		
<b>Weight</b>	130,00 g		

Part number

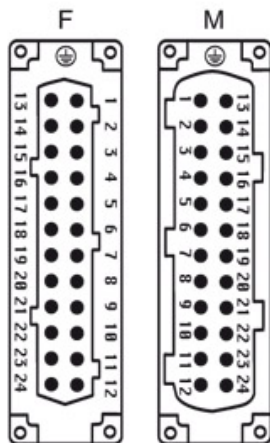
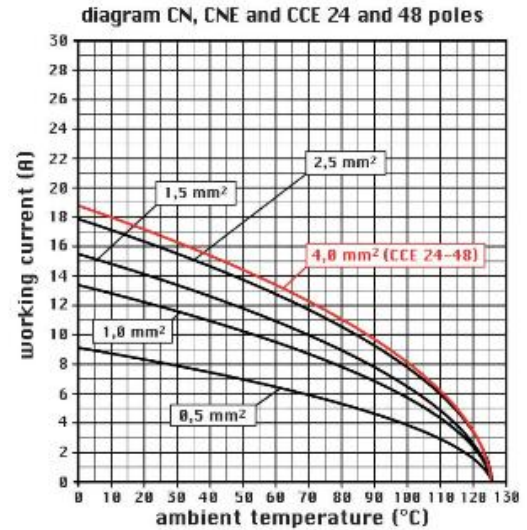
# CNEF 24 T



Catalogue drawings



Catalogue drawings



## Notes

CNEF/M 24 T inserts:

- characteristics according to EN 61984:  
(16A 500V 6kV 3)  
(16A 400/690V 6kV 2)
- rated voltage according to UL/CSA: 600V
- insulation resistance: > 10 GOhm
- ambient temperature limit: -40 °C ... +125 °C
- are made of self-extinguishing thermoplastic resin UL 94 V0
- mechanical life: > 500 cycles
- contact resistance: < 1 mOhm
- enclosures: size "104.27":  
C-TYPE IP65/IP66  
C7 IP67 stainless steel lever

- V-TYPE IP65/IP66  
stainless steel lever
- T-TYPE IP65 insulating  
JEL zinc-plated steel lever
- BIG hoods  
W-YPE aggressive environments
- EMC  
central lever  
IP68
- panel supports:  
COB

CNE ... : for non-prepared conductors



CNE ... X : for conductors with bush terminal

---