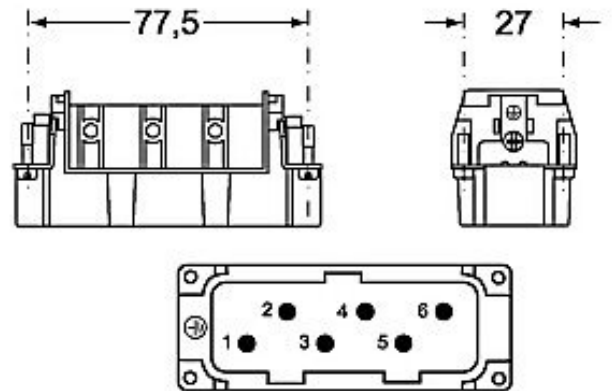
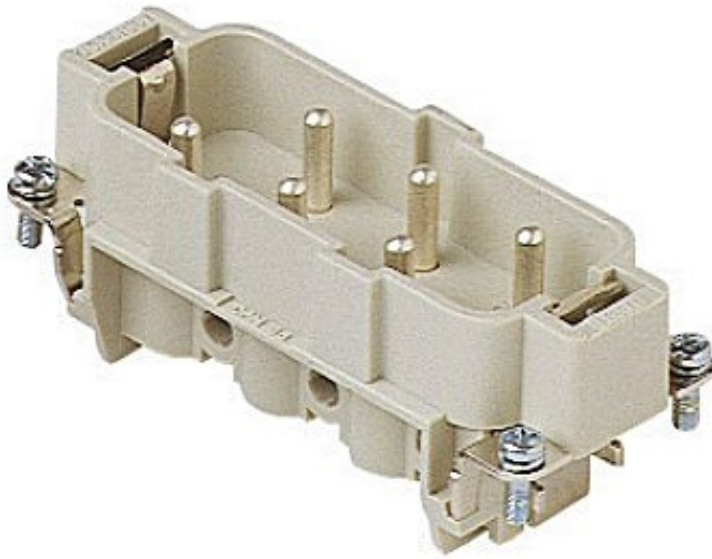


Product Sheet



Part Number: CPM 06



Family	inserts
Version	screw terminal connections
Series	CP
Product type	with male contacts
Model	male insert
Reference standard	EN 61984 (2001-11)
Contact type	silver plated
No. of poles	6 poles + \perp
Voltage (V)	400V/690V
Current (A)	35A (A.C./D.C.)
Wire section	1,5mm ² - 6mm ²
Awg size	16 - 10
Quality mark	
IP degree of protection	IP20 degree of protection without enclosure; IP65, IP66, IP67, IP68 (EN 60529) and IP69K (DIN 40050 - 9) with enclosure
Fixing centre distance	size "77.27"

The information and the dimensions contained are not binding and may be changed without prior notice.
The drawing's dimensions are in mm.