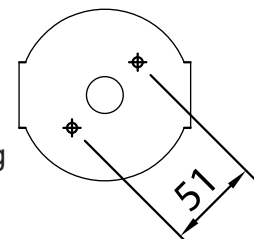
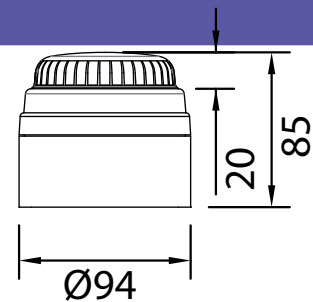


Sounder Beacons Series ISB-C



112dB (Max) multi-tone sounder with integrated LED beacon, complementing our standard Series B & Series C Industrial range of products

Circuitry is fixed to the lens cap assembly, with convenient access to the terminal block for wiring, as well as tone selector switch and volume control, allowing easy fitting of bases and wiring during installation, and safe storage of the electronics for phase 2 fitting.

Cap is fitted to the base by bayonet fitting with an O-ring seal, secured by a single securing grub screw. There are no other external fixings, and all connections between enclosure parts are protected by O-rings.

Simple 2-wire connection to energise sounder with second-stage tone available on a third wire. Each of the 32 tone combinations are selected using an internal DIP-switch array. Maximum volume can be adjusted via an internal preset control. Can be operated as Light-only or Light+Sound.

Standard units feature White ABS base and clear lens. Choice of Red or White ABS base mouldings to either match or be distinguishable from existing equipment.

	ISB-C/DC/10-40/LED/Colour	ISB-C/UC/55-230/LED/Colour
Supply Voltage	24Vdc	45-265Vac / 55-265Vdc
Minimum Supply Voltage	10Vdc	45Vac / 55Vdc
Maximum Supply Voltage	40Vdc	265Vac/dc
Average Current Draw (Tone 25)	217mA @24Vdc	135mA @ 48Vac / 68mA @115Vac / 38mA @230Vac
Peak Operating Current (Tone 25)	262mA @24Vdc	460mA @ 48Vac / 310mA @115Vac / 176mA @230Vac
Nominal power consumption (Tone 25)	5.3W	4.0W @ 48Vac / 3.7W @ 115Vac / 4.0W @ 230Vac
Luminous Intensity		
Red		36Cd
Amber		39Cd
Green		113Cd
Blue		46Cd
Clear		179Cd
Angle of max rated brilliance	On axis with front face	
Recommended fuse rating	External - 1A TD	
IEC protection class	IP66	
Operating Temperature Range	-20 to +45 Degrees C	
Net Product Weight	214g	219g

Sounder Beacons Series ISB-C

ISB-C/DC/10-40

ISB-C/UC/55-230

Switch Setting 12345	Tone No	Tone Description	2nd Tone No	dB(A)	Is 12Vdc (mA)	Is 24Vdc (mA)	Is 40Vdc (mA)	Is 48Vac(mA)	Is 115Vac(mA)	Is 230Vac(mA)
(LED Only)	(SW6 @ 1)	No tone	as set by SW1-5							
00000	1	420 INT @ 625mS/625mS (aus evac)	2	94	122	67	42	46	21	16
10000	2	554/440 ALT @ 0.1S/0.4S	1	96	106	53	32	38	17	12
01000	3	554/440 ALT @1Hz	8	100	142	67	40	50	21	15
11000	4	660	8	92	157	78	47	54	25	17
00100	5	660 INT 1S on/1S off	14	92	121	60	37	44	20	15
10100	6	660 INT @ 1.8S on/1.8S off	8	92	121	60	37	43	20	14
01100	7	660 INT @ 6.5S on/13S off	11	92	89	45	28	33	16	11
11100	8	800/970 ALT	14	102	175	86	52	60	28	19
00010	9	800/970 ALT @1Sec/1Sec	14	102	171	84	51	58	27	18
10010	10	800-970 SWEEP @1Hz	14	104	234	112	68	76	36	23
01010	11	800-970 SWEEP @7Hz	14	102	233	112	68	76	36	24
11010	12	800-970 SWEEP @50Hz	14	102	234	113	68	77	35	24
00110	13	800-970-800 SWEEP @1/1Hz	14	104	171	83	50	58	27	18
10110	14	970	26	103	185	89	54	61	28	19
01110	15	970 INT @1Hz	14	103	136	66	40	47	22	15
11110	16	660 INT @ 150mS/150mS	6	87	160	77	47	54	25	17
00001	17	970 INT 0.5s on / 0.5s off	27	100	178	85	51	58	27	17
10001	18	970 INT @0.25s ON/1S OFF	14	93	138	67	40	44	21	14
01001	19	1000 (toxic gas alarm)	21	102	185	90	54	62	29	20
11001	20	1000 INT @1s/1s (gen alarm)	21	101	136	66	40	47	22	18
00101	21	1200-500 SWEEP @1Hz (papa)	20	99	220	107	64	74	34	23
10101	22	2100-1000 SWEEP @ 500mS	23	96	306	149	89	97	47	28
01101	23	1600/2100 ALT @250mS/250mS	24	98	347	165	98	104	53	31
11101	24	1600-2100-1600 SWEEP @ 1s/1s	23	96	356	170	101	107	54	31
00011	25	2400/2850 ALT	29	112	472	228	131	135	68	38
10011	26	2400-2850 SWEEP @1Hz	29	112	500	240	140	151	77	42
01011	27	2400-2850 SWEEP @7Hz	29	111	501	237	140	150	77	42
11011	28	2400-2850 SWEEP @50Hz	29	111	493	233	138	148	77	42
00111	29	2850	14	112	512	240	145	147	69	38
10111	30	2850 INT @1Hz	29	112	288	147	86	91	41	25
01111	31	2850 INT 0.5s on / 0.5s off	25	110	415	199	116	123	54	30
11111	32	2850 INT 150ms on / 100mS off	14	109	454	217	127	134	59	33