

## COMPACT DIMENSION FUSE-LINKS

TYPE CDS

### 230/240 Volt and 400/415 Volt Compact Dimension Fuse-Links to BS88: Part 6 • IEC60269-2

Rated voltages: 240V a.c. and 415V a.c. Breaking range and utilisation category: gG Rated breaking capacities: 20kA at 240V a.c. and 80kA at 415V a.c.

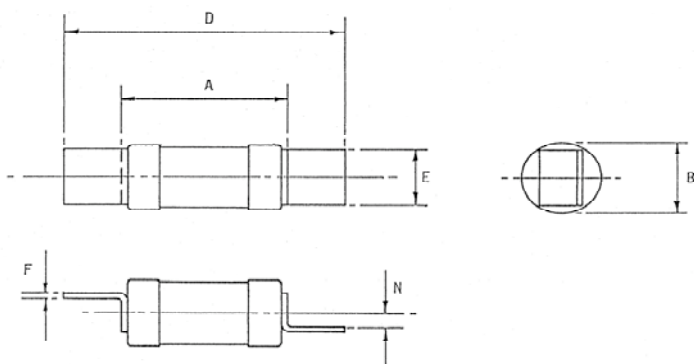


Compact Type "CDS" fuse-links are for use in single or three phase commercial and industrial installations and can be fitted into BS88 bladed type fuse-holders and distribution fusegear.

The Lawson CLIPFIT range has rated voltages of 240V a.c. or 415V a.c. and has been certified at a test recovery voltage of at least 110%. These fuse-links therefore are suitable for use on systems with voltages up to 264 or 457V a.c. The rated and test voltages also ensure that the range meets all the transitional voltage requirements specified within the harmonised nominal voltages of 230/400V a.c. A complementary range of solid/neutral links is available to suit our fuse-link range.

#### Product and Performance Data - Compact Dimension Fuse-Links

List Reference	Current Rating (A)	BS88 Reference	Voltage Rating (V)	Breaking Capacity (kA)	BS Standard	IEC Standard	Carton Quantity	Carton Weight (Kg)
SS	2,4,6,10,16,20,25,32	E1	240a.c.	20kA-a.c.	BS88: Part 6	60269-2	10	0.12
NS	2,4,6,10,16,20,25,32	F1	415a.c.	80kA-a.c.			10	0.18
MES	10,16,20,25,32,40,50,63	F2	415a.c.	80kA-a.c.			10	0.32



#### Dimensions

BS88 Ref.	Type Ref.	Rated Voltage (V a.c.)	Current Ratings (A)	Dimensions (mm)						
				A max	B max	D max	E nom	F nom	N nom	
E1	SS	240	2,4,6,10,16,20,25*,32*	25	12.7	51	11.5	0.8	3.5	
F1	NS	415	2,4,6,10,16,20,25*,32*,20M25*,20M32*	35.5	14.3	62	11.5	0.8	3.5	
			32M40*,32M50*,32M63*	39	17.5	62	11.5	0.8	3.5	
F2	MES	415	10,16,20,25,32,40,50,63	39	17.5	69	15	1.4	3.5	

\* Non-Standardized current rating additional to BS 88: Part 6



See pages 10 & 11 for Motor Circuit Protection.  
See page 25 for the time/current and cut-off current characteristics.