

Series C Flashing LED Beacon

PSC/UC/24-230/LED/AMBER



deegree PSC IP69K Flashing LED Beacon 24-230Vuc White Base 85mm x 94mm dia. Amber

Our Pulsed LED Beacon Lamps utilise latest technology LED's to provide a generally low power, long life visual warning signal.

Dual-function Pulsed/Static LED Beacon with internal jumper to select operating mode.

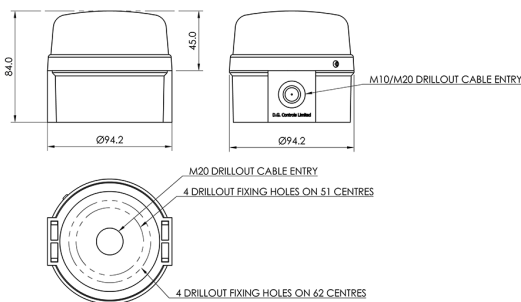
Multiple units from both the Series B and Series C ranges can be joined together, including the matching IAS-C Sounder, to provide an integrated signalling system.

Circuitry is fixed to the base, with convenient access to the terminal block for wiring.

Lenses are fitted to the bases by bayonet fitting with an O-ring seal, secured by a single securing grub screw.

There are no other external fixings, and all connections between enclosure parts are protected by O-rings.

- Multi-voltage, allowing less stock holding
- Protective guard and mounting bracket available
- Can be mounted in any orientation
- 130° prime light output from vertical axis



Electrical Data

Nominal Supply Voltage (V)	24-230
Supply Type	UC
Voltage Min (V)	21
Voltage Max (V)	264
Nominal Current Draw (A)	0.017
User Selectable Functions	Pulsed/Static
Fuse (A)	0.5
Fuse Type	TD
Fuse (Internal or External)	External

Visual Data

Signal Colour	Amber
Light Source	LED
Factory Set Flashing Frequency (FPM)	120
Luminous Intensity (cd)	50

General Data

Size (mm)	85 x 94 dia.
-----------	--------------

Series C Flashing LED Beacon

PSC/UC/24-230/LED/AMBER



Weight (kg)	0.2325
IP Rating	IP69K
Mounting method	Surface mounting
Order Unit	1
Base Colour	White
Base Material	ABS
Lens Material	Polycarbonate
Lens Colour	Amber
Temperature Limits (C)	-20 to +45

Trade Data

GTIN	5060995740911
CE Approved	Yes
Commodity Code	85318070
Country of origin	GB